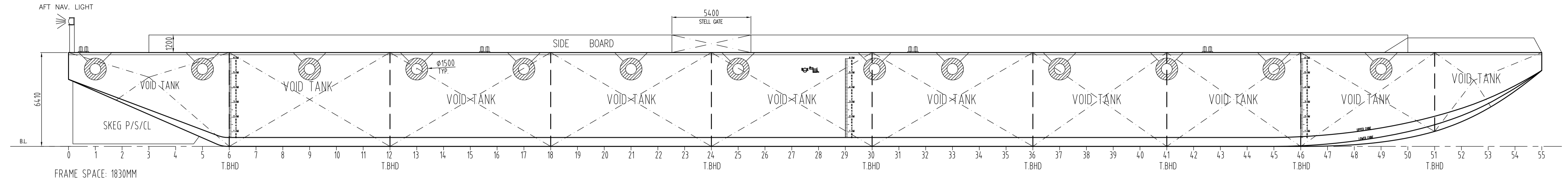
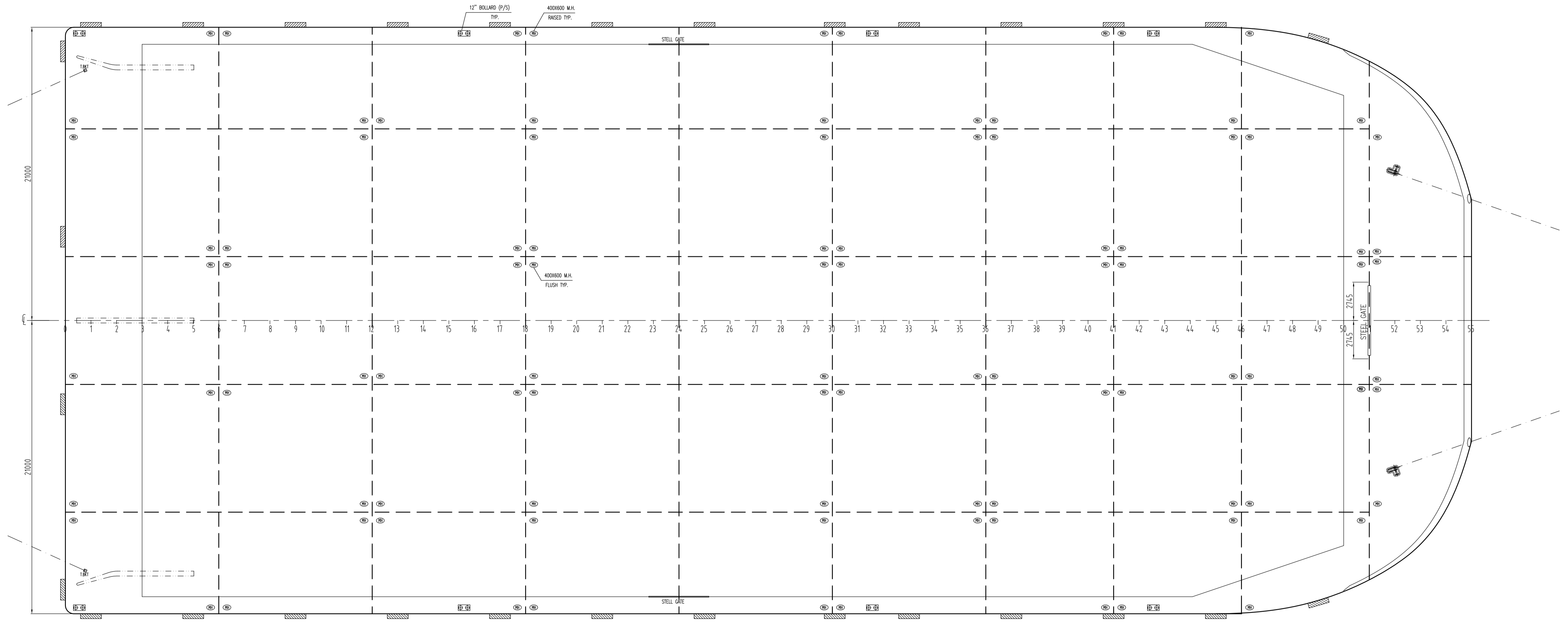


REV.	REVISION DESCRIPTION	BY	DATE
2	For Approval	CX Zhang	18 Sept.2020



OUTBOARD PROFILE



MAIN DECK

PRINCIPAL DIMENSIONS

L.O.A. (MLD)	100.65 M
BREADTH (MLD)	42.00 M
DEPTH (MLD)	6.41 M

Navigation zone 航区 中国近海 Coastal China

BASIC DESIGN		100.65M Flat Top Barge		OWNER:
DESIGNED	C.Xin Zhang	General layout plan	CLASS:	ZC
CHECKED			HULL No.	HT-161
APPROVED			DWG No.	G-100-01
CHK OF STD.			PAGE	REV.
VERIFIED	HZ Yang	BUILDER:	1/1	1:150
DATE	18 Sept. 2020	ANHUI JANTLE MARINE ENGINEERING CO., LTD.		
This document and the information contained is the exclusive property of PUNING comp. and must not be copied or handed over to third parties without our written permission.		Nanjing Puming Ship Design Co., Ltd 南京普明船舶设计有限公司		